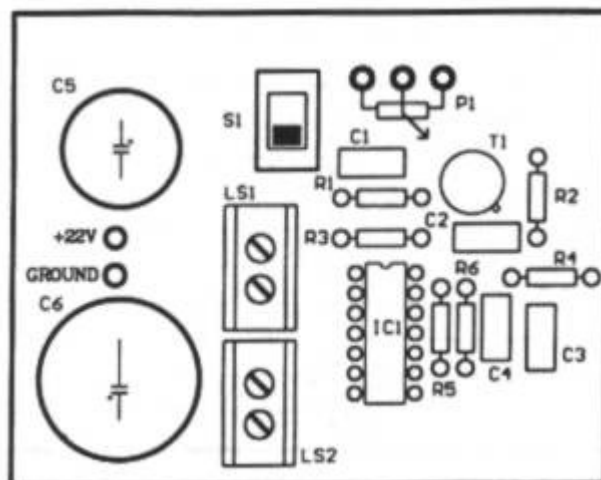
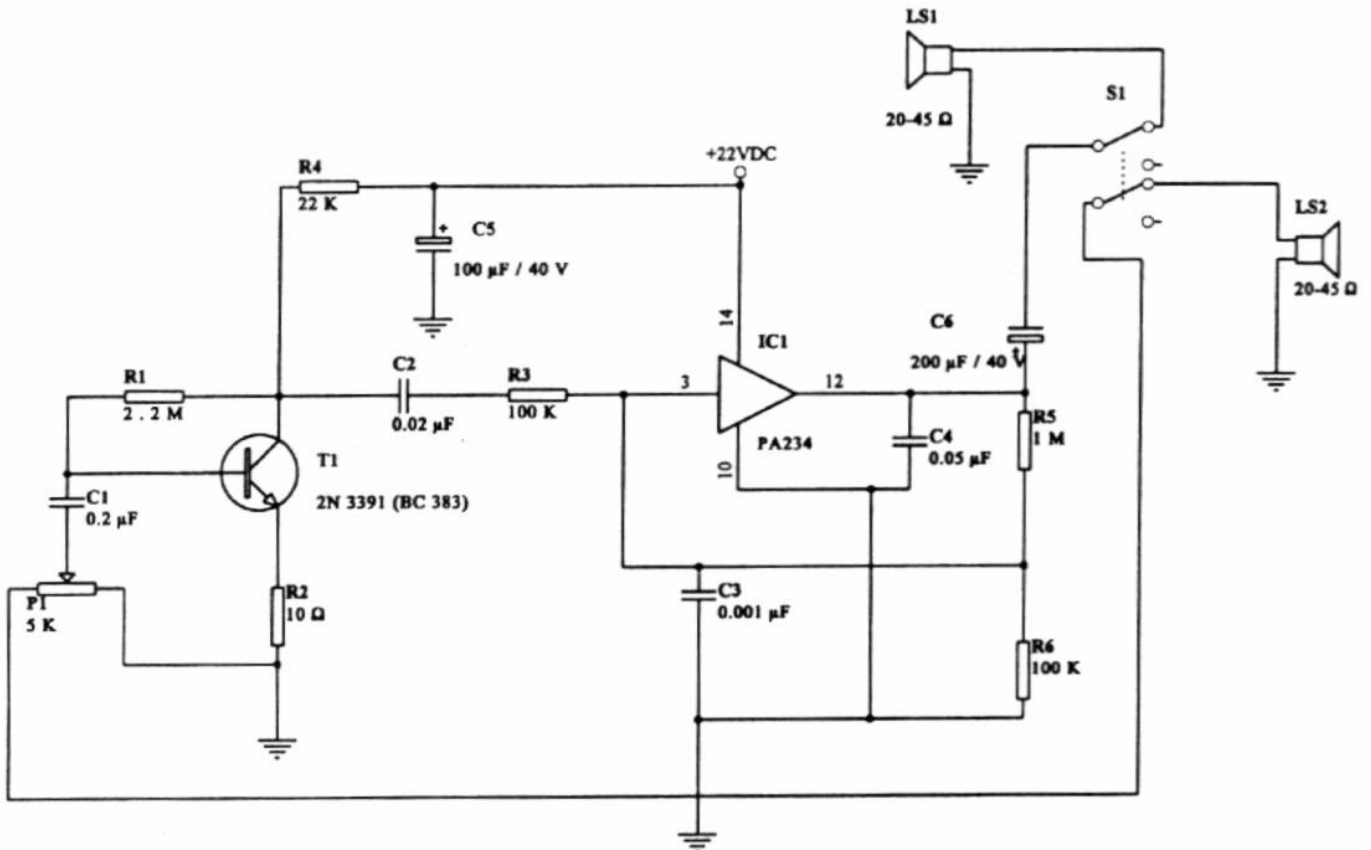
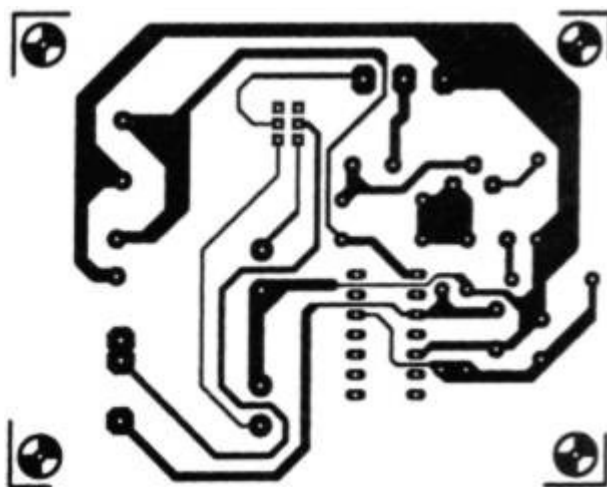


InterCommunication (Intercom)

This is a great intercom circuit that can be used in many ways. It uses 22V to operate and maybe it will work at a lower voltage (you can try it). For input/output it uses a loudspeaker (20-45 Ohm) on each side.



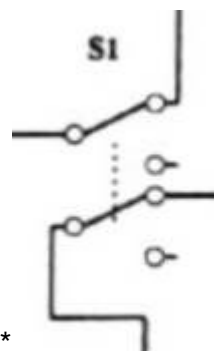
Componets Layout



PCB

Parts List

R1: 2,2 M	C6: 200uF/40V
R2: 10 Ohm	IC1: PA234
R3,R6: 100K	LS1,2: 20-45 Ohm
R4: 22K	T1: 2N3391 (BC383)
R5: 1M	P1: 5K
C1: 0,2uF	S1: SW-DPDT *
C2: 0,02uF	
C3: 0,001uF	
C4: 0,05uF	
C5: 100uF/40V	



See here how the SW should be. See also the large theoretical image.